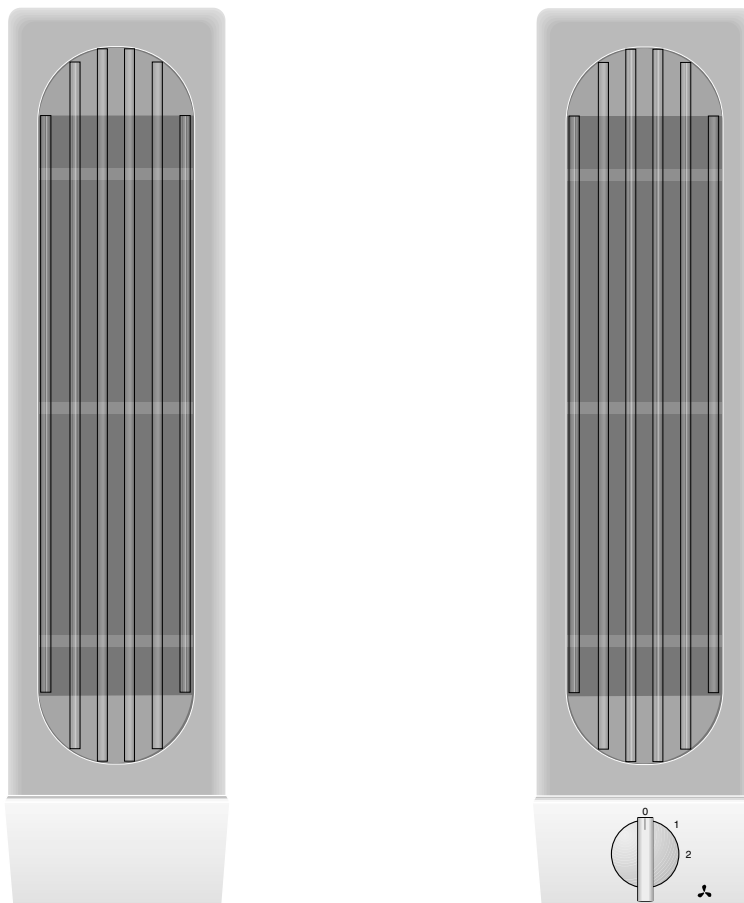


Operating and assembly instructions

VL 040/041-107

Hob ventilator



GAGGENAU

Preface

1. Important notes	Page 3-4
1.1 For your safety	Page 3
1.2 Operating for the first time	Page 4
2. Structure and operating principle	Page 5
2.1 Structure of the appliance	Page 5
2.2 Accessories	Page 5
3. Operation	Page 6
4. Cleaning and care	Page 7
5. Maintenance	Page 7

Preface

VL 041-107

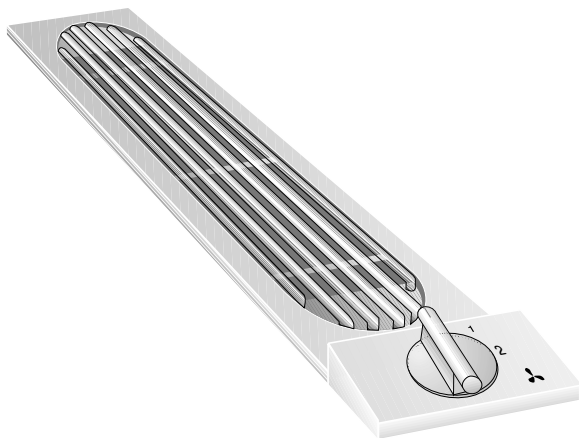


Fig. 1

VL 040-107



Fig. 2

With your new hob ventilator, working in the kitchen will be even more fun.

The appliance offers you the following **advantages:**

- Kitchen vapours and fats are sucked away directly where they arise.
- One-hand operation ensures high operating convenience.

To ensure that you will be able to use this appliance in all its diversity, read through the operating and assembly instructions conscientiously **before operating it for the first time**. The instructions contain important notes on use, installation and maintenance of the appliance.

On the following page you will find **important notes on safety and operation**. These will serve to ensure your personal safety and the lasting value of your appliance.

You will find notes on Page 4 that you ought to observe **before operating the appliance for the first time**.

Tips and hints in the chapter entitled **”Cleaning and care”** will make sure that your appliance will stay operable and beautiful for a long time.

And now we wish you lots of fun with your new hob ventilator.

1. Important notes

1.1 For your safety

Damaged appliances must not be operated.

The appliance must only be connected by an authorised specialist, paying attention to the relevant regulations of the power supply companies and the regional construction regulations.

Also observe the assembly instructions!

Connecting cables must not come into contact with hot cooking surfaces.

Hazardous or explosive substances and vapours must not be extracted!

The user is responsible for expert use and the perfect condition of the appliance.

Never operate the appliance without a grease filter.

Only ever operate the appliance under supervision. The appliance is intended solely for use in the household and must not be put to any other uses.

Caution! Over-greased filters are a fire risk! Only ever deep-fry next to the appliance under constant supervision. Pay attention to cleaning the grease filter on a regular basis.

Do not clean the appliance with a steam cleaning apparatus or with water pressure because this poses a risk of short-circuits.

Isolate the appliance from the mains during every maintenance operation. To do this, remove the mains plug or actuate the corresponding fuse. If the mains plug is not accessible, the appliance must be deenergised by means of the domestic installation fuse.

In the event of **malfunctions**, first of all check the household fuses. If the malfunction has nothing to do with the power supply, please contact your specialist dealer or your responsible Gaggenau after-sales service. Repairs must be carried out by authorised specialists, thus ensuring electrical safety.

No warranty claims can be lodged in the event of damage caused by failure to observe these instructions.

Fire risk! It is not permitted to flambé meals next to a hob ventilator that is in operation.

You may only ever use a grill or a deep fryer at the same time as the hob ventilator if it is under constant supervision.

This will involve a fire risk!

Do not place any objects on the appliance; this will have a detrimental effect on functioning.

If you have installed the hob extractors VL 040/041 next to a gas appliance, each has to be fitted with an air baffle LS 041 while cooking. The air baffle not only improves the air flow of the extractor next to a gas appliance, but also prevents a flame which has been set to a low level from being extinguished.

Technical modifications reserved.

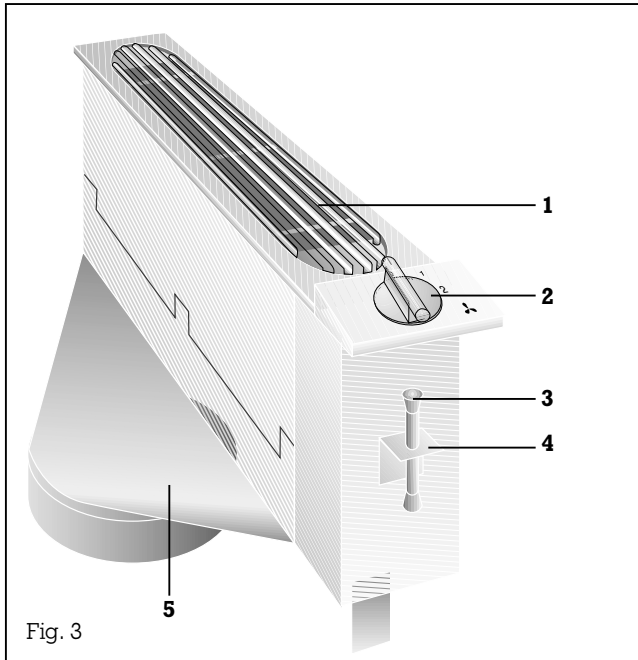
1.2 Operating for the first time

Before operating the appliance for the first time, please pay attention to the following notes:

- **Conscientiously read through** the operating and assembly instructions before operating the appliance for the first time.
- **The rating plate** for this appliance is included with the instructions on a separate sheet. Store the rating plate in the same location as your operating and assembly instructions. You need the rating plate for possible damage and warranty cases.
- **Remove the packaging** from the appliance and dispose of it properly. Pay attention to the fact that there are accessories in the packaging. Keep packaging elements out of the reach of children!
- **Thoroughly clean the appliance** before using it for the first time. (see chapter entitled "Cleaning and care")
- **Before operating the appliance** for the first time, check that the mains connection is in proper working order.

2. Structure and operating principle

2.1 Structure of the appliances



- 1 Ventilation grille
- 2 Control knob (VL 041-107 only)
- 3 Clamping screw
- 4 Retaining bracket
- 5 Suction extraction connection

2.2 Accessories



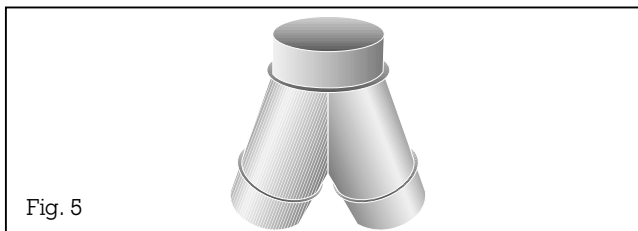
Special accessories:

AS 070-000: connection piece for extension during assembly (fig. 4)

VV 200-000: connecting trim

RV 050-150: bifurcated pipe for joining 2 x DN 125 into DN 150 (fig. 5)

LS 041-000: air baffle

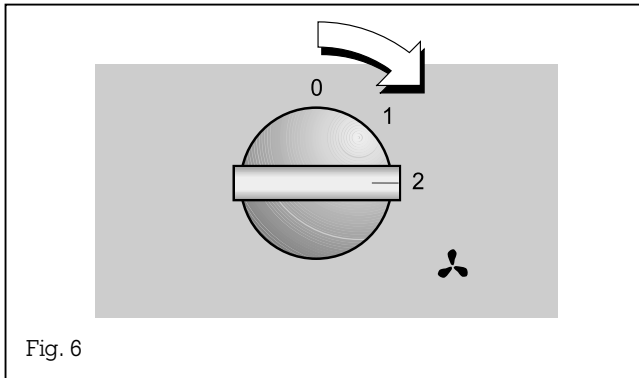


3. Operation

Note:

VL 040 can only be operated in combination with VL 041 or VL 051. All operator inputs apply to both hob ventilators. That is to say: if you set the control knob to level 1, both hob ventilators are operated at level 1.

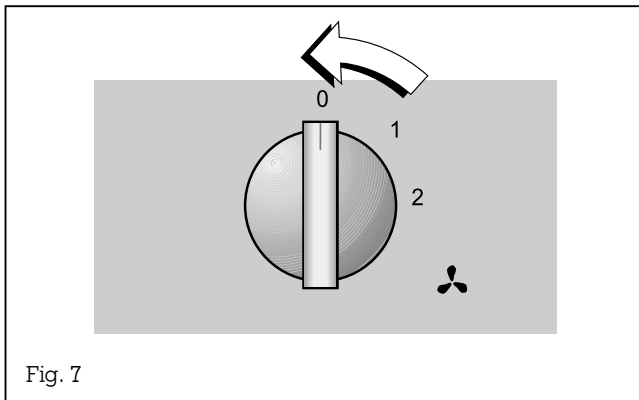
Switching on



Switching on

Turn the control knob to the right to the position you require (0-2).

Switching off



Switching off

Turn the control knob to the left to the 0 position.

4. Cleaning and care

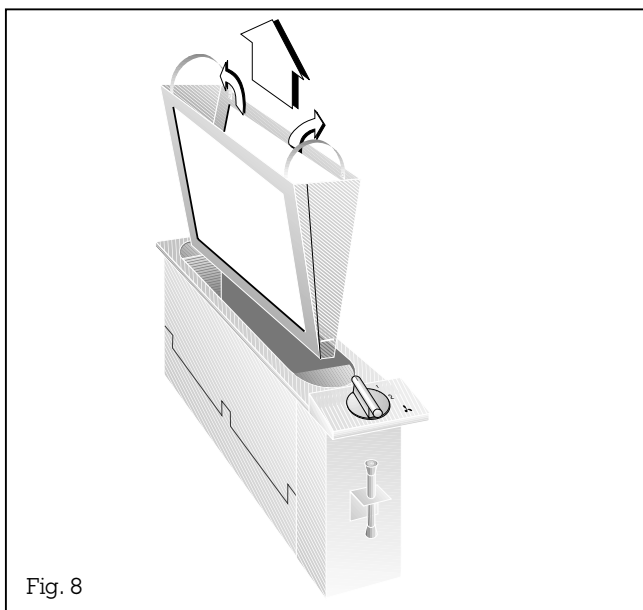


Fig. 8

The **grease filters** must be cleaned on a regular basis (at the latest after 30 hours of operation). Overgreased filters are a fire risk!

Caution:

Avoid sharp and caustic cleaning agents as well as brushes and abrasive cleaners.

The stainless steel frontages must only be cleaned with a soft cloth.

Do not use any abrasive sponges either. Use commercially available window cleaner and apply it to a soft, moist cloth. Do not spray it onto the switch panel.

Clean the **ventilation grille** with a moist cloth and detergent solution. You should not clean the ventilation grille in a dishwasher because spots may appear on the ventilation grille.

Grease filter cleaning

You can clean the metal grease filters in a dishwasher at a maximum temperature of 65°C. Place the grease filter in the dishwasher with the opening pointing down to ensure that no food remainders will stay on it.

Proceed as follows: (fig. 8)

- Detach the ventilation grille.
 - Turn up the two retaining wires and detach the grease filter from the appliance.
- Insert in the reverse order.

5. Maintenance

Repairs must only be carried out by authorised specialists, thus ensuring the safety of the appliance. Improper tampering will render all warranty claims null and void.

First disconnect the appliance from the mains before carrying out any repairs.

In the event of malfunctions, first of all check the household fuses.

If the power supply is in proper working order, but the appliance is nevertheless not functioning, then please contact your specialist dealer or your responsible Gaggenau after-sales service. Specify the appliance type. To this end, have a look at the rating plate, which is included with the operating and assembly instructions.

GAGGENAU

GAGGENAU HAUSGERÄTE GMBH
P.O. BOX 10 02 50 · D-80076 MÜNCHEN

☎ (089) 45 90-03
FAX (089) 45 90-23 47
www.gaggenau.com